



T&S BRASS AND BRONZE WORKS, INC.
 2 SADDLEBACK COVE / P.O. BOX 1088 / TRAVELERS REST, SC 29690
 PHONE 800-476-4103 FAX 864-834-3518



Model No.

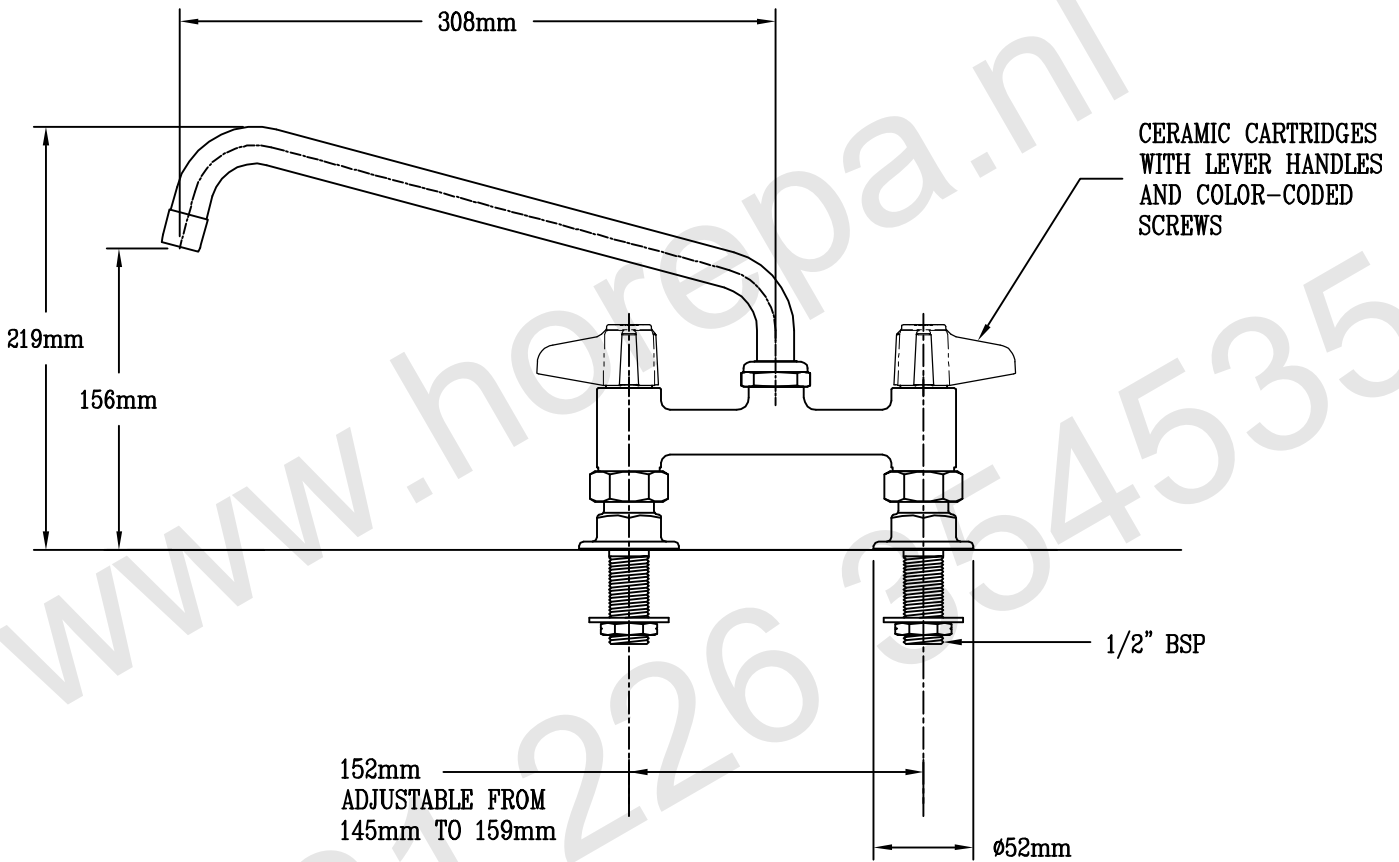
EU-6DF12

Item No.:

Job Name:

Architect/Engineer Approval:

Notes:



Product Description:
 Mixing Faucet, Deck Mount, 152mm (6") Centers,
 308mm (12") Nozzle, 1/2" BSP Inlets, Ceramic Cartridges,
 Lever Handles, 219mm Height, 156mm Clearance

Drawn:

JKD

Checked

MVW

Scale:

1:4

Approved

MVW

Date:

1/16/04