



T&S BRASS AND BRONZE WORKS, INC.
 2 Saddleback Cove / P.O. Box 1088
 Travelers Rest, SC 29690

Model No.
EU-2DF12

Item No.

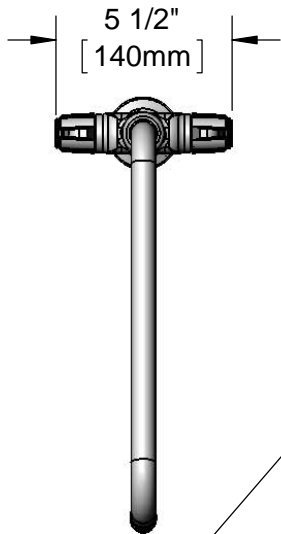
Travelers Rest, SC: 800-476-4103 • Simi Valley, CA: 800-423-0150 • Fax: 864-834-3518 • www.tsbrass.com

This Space for Architect/Engineer Approval

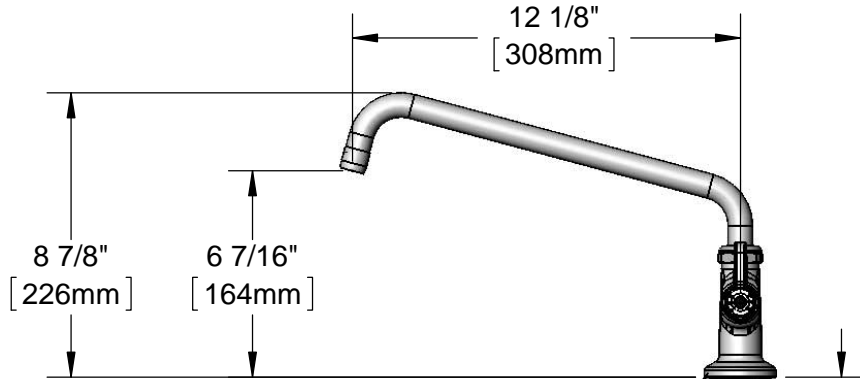
Job Name _____ Date _____
 Model Specified _____ Quantity _____
 Customer/Wholesaler _____
 Contractor _____
 Architect/Engineer _____



ADA Compliant



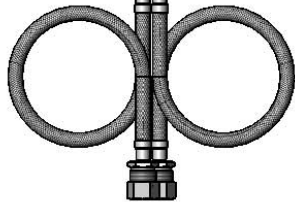
ES-12
 12" Swing Nozzle w/
 Laminar Flow Device



Ceramic Cartridges &
 Euro Lever Handles w/
 Color Coded Screws

Ø 2 1/4"
[57mm]
 Flange w/
 Ø 1 1/8"
[29mm]
 Shank

1 7/16"
[36mm]
 Maximum
 Thickness



18" [457mm] Flexible Supply Hose
 w/ Compression Fittings for
 15mm OD Copper Tubing

Product Specifications:
 Single Hole Deck Mount Mixing Faucet, Ceramic Cartridges,
 Euro Lever Handles, 12" Swing Nozzle & (2) 18" Long
 Supply Hose Inlets w/ Compression Fittings For 15mm OD
 Copper Tubing

Drawn DHL	Checked DMH	Approved JHB
Scale: 1:6		Date: 09/27/12



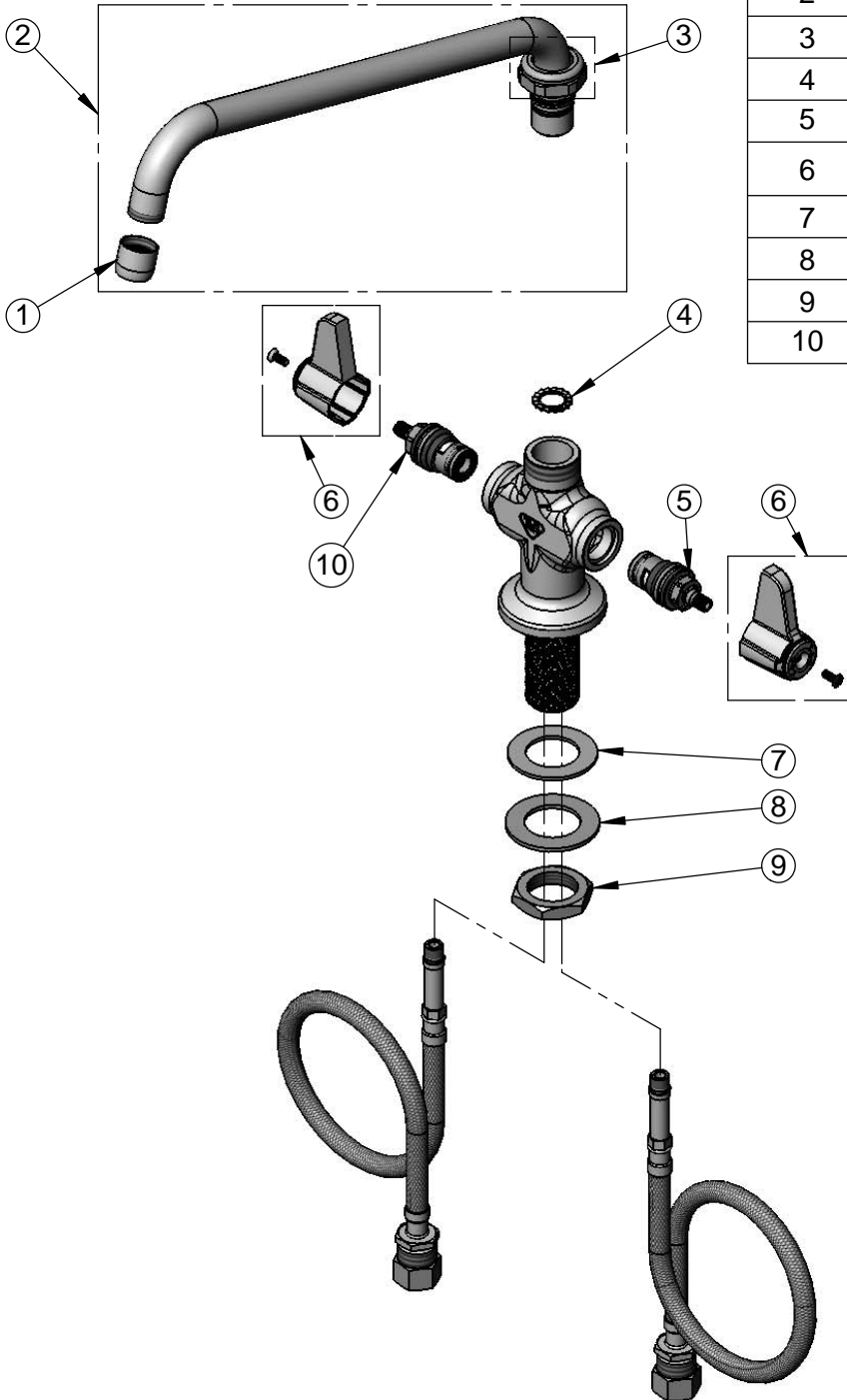
T&S BRASS AND BRONZE WORKS, INC.
 2 Saddleback Cove / P.O. Box 1088
 Travelers Rest, SC 29690

Model No.
EU-2DF12

Item No.

Travelers Rest, SC: 800-476-4103 • Simi Valley, CA: 800-423-0150 • Fax: 864-834-3518 • www.tsbrass.com

ITEM NO.	SALES NO.	DESCRIPTION
1	014250-45	3/4-27 Full Flow Laminar Device
2	ES-12	12" Swing Nozzle
3	013839-25	Swivel Nut
4	014200-45	Star Washer, Anti-Rotation
5	013788-45	equip Ceramic Cartridge, LTC
6	E-HDL-L	Euro Lever Handle w/ Color Coded Screws
7	014612-45	Deck Seal
8	002290-45	Lock Washer
9	000965-45	Lock Nut
10	013787-45	equip Ceramic Cartridge, RTC



Product Specifications:
 Single Hole Deck Mount Mixing Faucet, Ceramic Cartridges,
 Euro Lever Handles, 12" Swing Nozzle & (2) 18" Long
 Supply Hose Inlets w/ Compression Fittings For 15mm OD
 Copper Tubing

Drawn DHL	Checked DMH	Approved JHB
Scale: NTS		Date: 09/27/12