



**T&S BRASS AND BRONZE WORKS, INC.**  
 2 Saddleback Cove / P.O. Box 1088  
 Travelers Rest, SC 29690

Model No.  
**EB-2261**

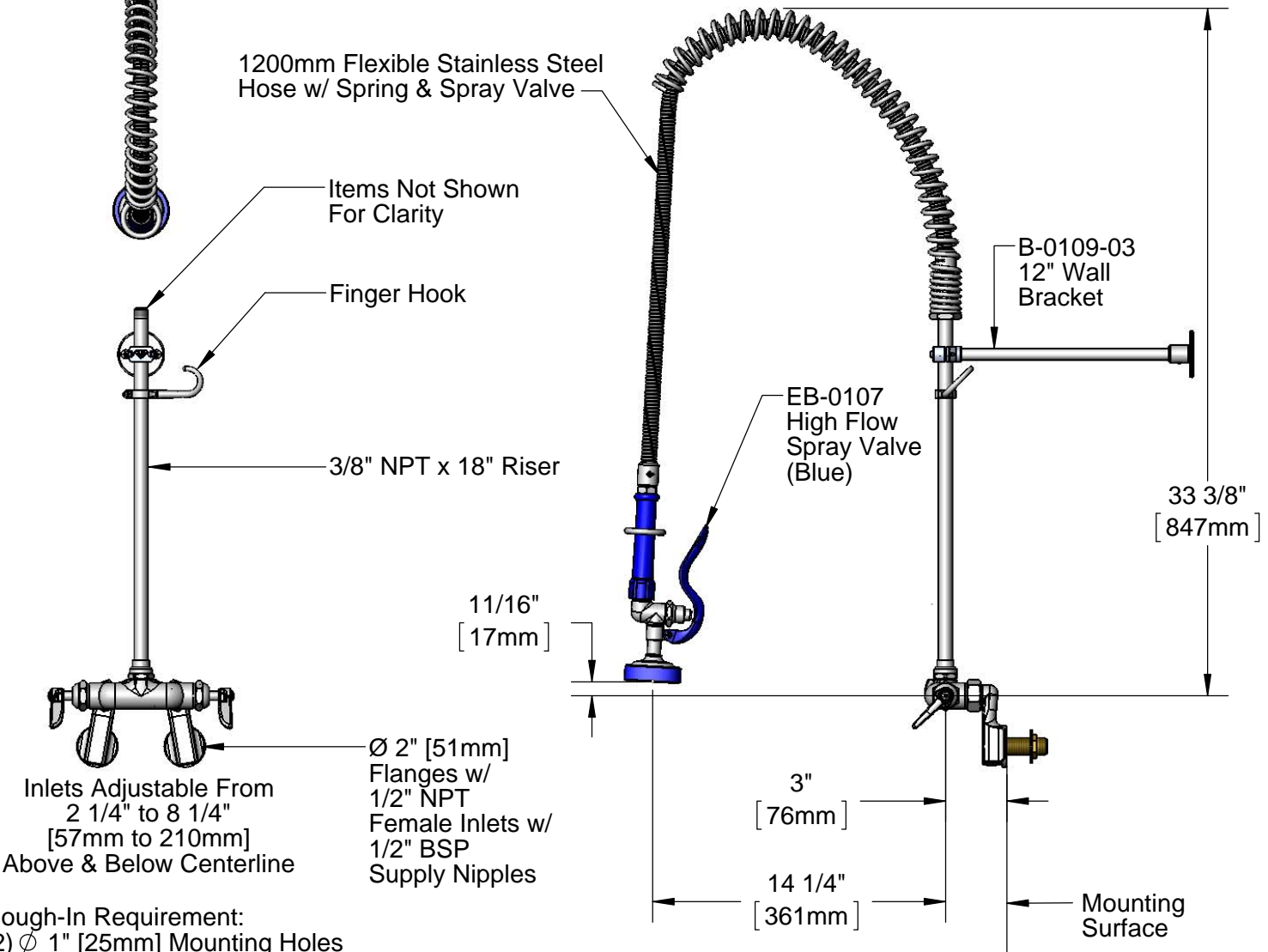
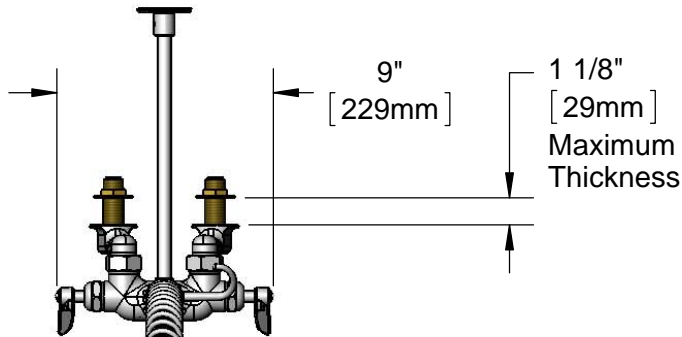
Item No.

Travelers Rest, SC: 800-476-4103 • Simi Valley, CA: 800-423-0150 • Fax: 864-834-3518 • www.tsbrass.com

**EPAct 2005 Non-Compliant**

This Space for Architect/Engineer Approval

Job Name \_\_\_\_\_ Date \_\_\_\_\_  
 Model Specified \_\_\_\_\_ Quantity \_\_\_\_\_  
 Customer/Wholesaler \_\_\_\_\_  
 Contractor \_\_\_\_\_  
 Architect/Engineer \_\_\_\_\_



Inlets Adjustable From  
 2 1/4" to 8 1/4"  
 [57mm to 210mm]  
 Above & Below Centerline

Ø 2" [51mm]  
 Flanges w/  
 1/2" NPT  
 Female Inlets w/  
 1/2" BSP  
 Supply Nipples

Rough-In Requirement:  
 (2) Ø 1" [25mm] Mounting Holes

Product Specifications:  
 Pre-Rinse Unit: 8" Wall Mount Mixing Faucet, Cerama Cartridges  
 w/ Check Valves, Lever Handle, 1200mm Flexible Stainless Steel  
 Hose, High Flow Spray Valve (Blue), 12" Wall Bracket & 1/2" NPT  
 Female Adjustable Arm Inlet Flanges w/ 1/2" BSP Male Supply Kit

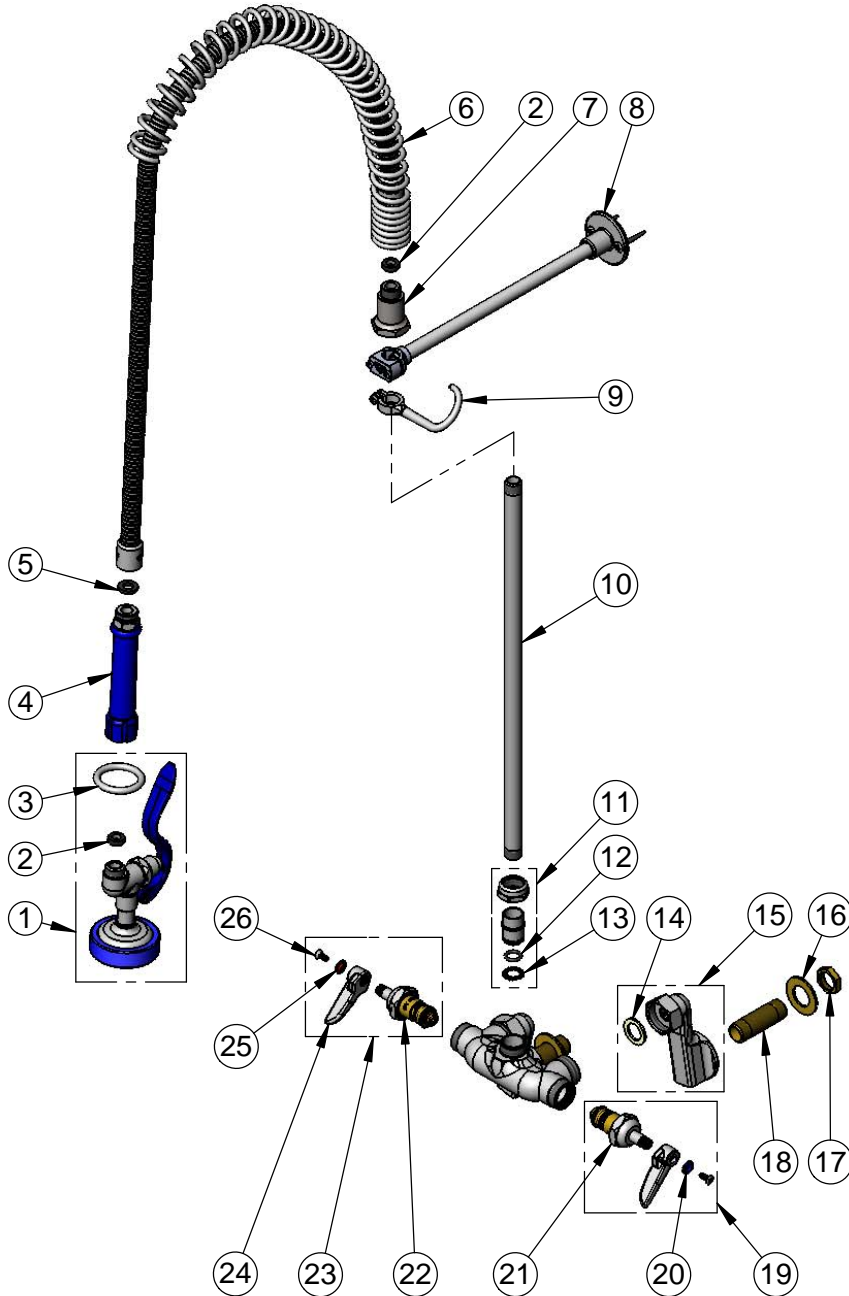
Drawn <b>DHL</b>	Checked <b>JRM</b>	Approved <b>JHB</b>
Scale: <b>1:8</b>		Date: <b>07/01/13</b>



**T&S BRASS AND BRONZE WORKS, INC.**  
 2 Saddleback Cove / P.O. Box 1088  
 Travelers Rest, SC 29690

Model No.  
**EB-2261**  
 Item No.

Travelers Rest, SC: 800-476-4103 • Simi Valley, CA: 800-423-0150 • Fax: 864-834-3518 • www.tsbrass.com



ITEM NO.	SALES NO.	DESCRIPTION
1	EB-0107	High Flow Spray Valve (Blue)
2	010476-45	#27 Washer
3	000907-45	Spray Valve Hold Down Ring
4	011482-40	Grip Handle (Blue)
5	001014-45	Washer, B-0100 Hose Barrel
6	000888-45	EasyInstall Overhead Spring
7	000821-40	Spring Body
8	B-0109-03	12" Wall Bracket
9	004R	Finger Hook
10	000369-40	3/8" NPT x 18" Long Riser
11	EZ-K	EasyInstall Kit
12	001065-45	O-Ring
13	014200-45	Star Washer, Anti-Rotation
14	001019-45	Coupling Nut Washer
15	00GG	1/2" NPT Female Adjustable Arm Inlet Flange
16	000999-45	Brass Lock Washer
17	002954-45	Shank Lock Nut
18	002814-45	Shank
19	012447-25	Cerama Cartridge, LTC w/ Check Valve, Handle, Index & Screw
20	001660-45	Blue Index-CW
21	012395-25	Cerama Cartridge, LTC w/ Check Valve
22	012394-25	Cerama Cartridge, RTC w/ Check Valve
23	012446-25	Cerama Cartridge, RTC w/ Check Valve, Handle, Index & Screw
24	001638-45	Lever Handle
25	001661-45	Red Index-HW
26	000922-45	Lever Handle Screw

**Product Specifications:**

Pre-Rinse Unit: 8" Wall Mount Mixing Faucet, Cerama Cartridges w/ Check Valves, Lever Handle, 1200mm Flexible Stainless Steel Hose, High Flow Spray Valve (Blue), 12" Wall Bracket & 1/2" NPT Female Adjustable Arm Inlet Flanges w/ 1/2" BSP Male Supply Kit

Drawn <b>DHL</b>	Checked <b>JRM</b>	Approved <b>JHB</b>
Scale: <b>NTS</b>		Date: <b>07/01/13</b>