



T&S BRASS AND BRONZE WORKS, INC.
 2 SADDLEBACK COVE / P.O. BOX 1088 / TRAVELERS REST, SC 29690
 PHONE 800-476-4103 FAX 864- 834-3518



Model No.

EU-1DF12

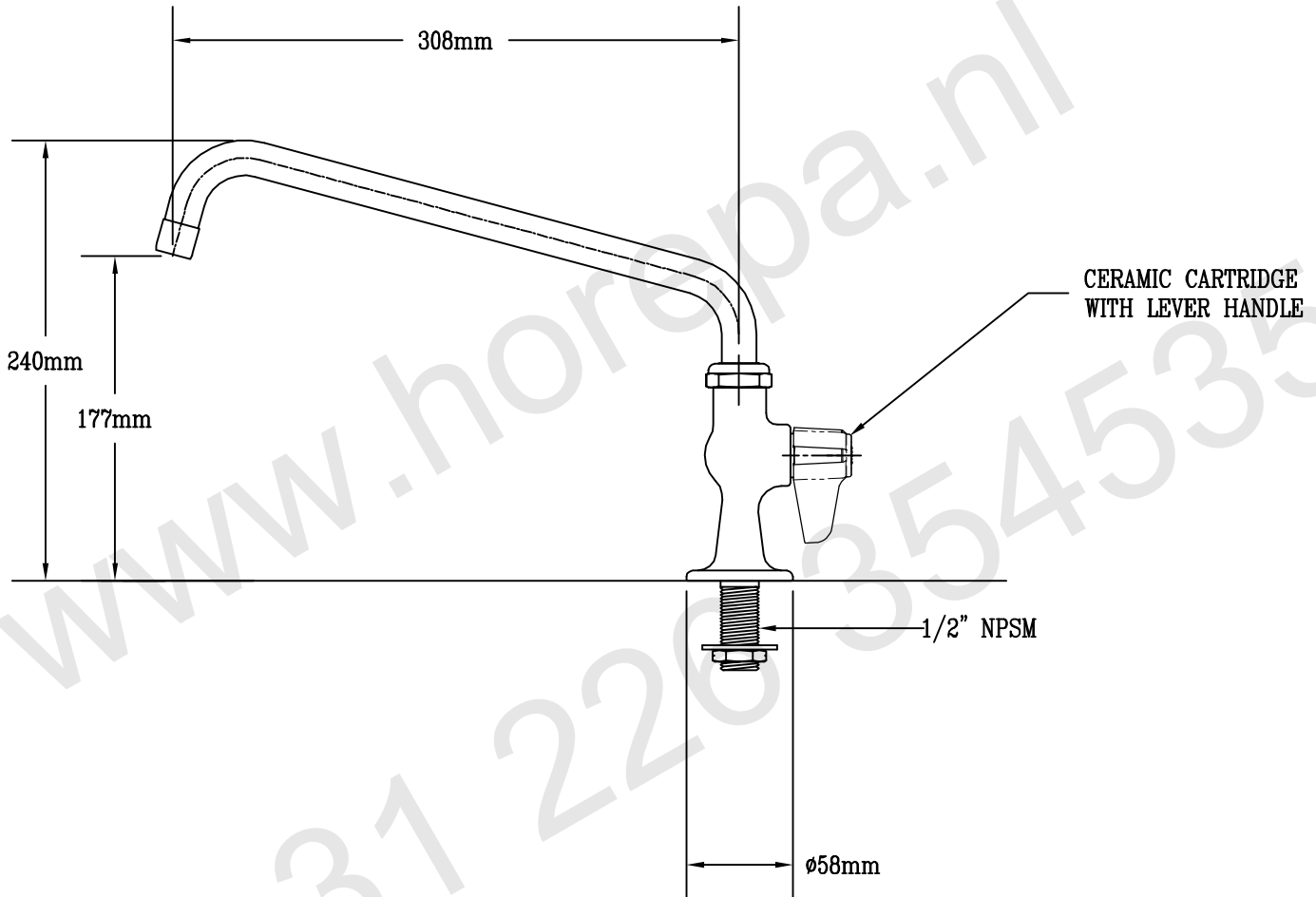
Item No.:

REG.#A2601
 ISO #9002

Job Name:

Architect/Engineer Approval:

Notes:



Product Description:
 Pantry Faucet, Deck Mount,
 Single Inlet (1/2" NPSM), 308mm Nozzle

Drawn:

JKD

Checked

MVW

Scale:

1:4

Approved

MVW

Date:

7/26/04