

# T&S BRASS AND BRONZE WORKS, INC.

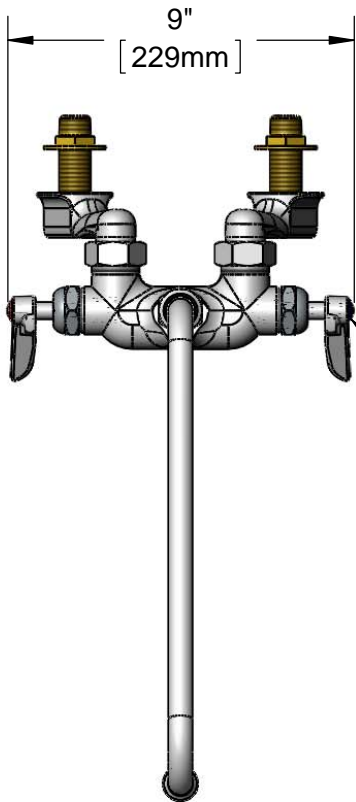
2 Saddleback Cove / P.O. Box 1088  
Travelers Rest, SC 29690

Model No.

**EB-0236**

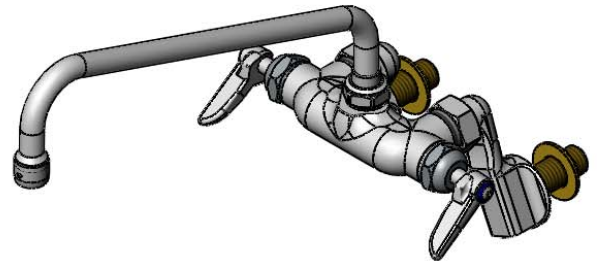
Item No.

Travelers Rest, SC: 800-476-4103 • Simi Valley, CA: 800-423-0150 • Fax: 864-834-3518 • www.tsbrass.com



**ADA Compliant**

Cerama Cartridges & Lever Handles w/ Color Coded Indexes



This Space for Architect/Engineer Approval

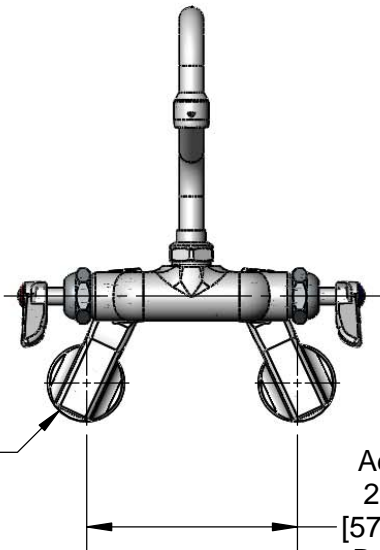
Job Name \_\_\_\_\_ Date \_\_\_\_\_

Model Specified \_\_\_\_\_ Quantity \_\_\_\_\_

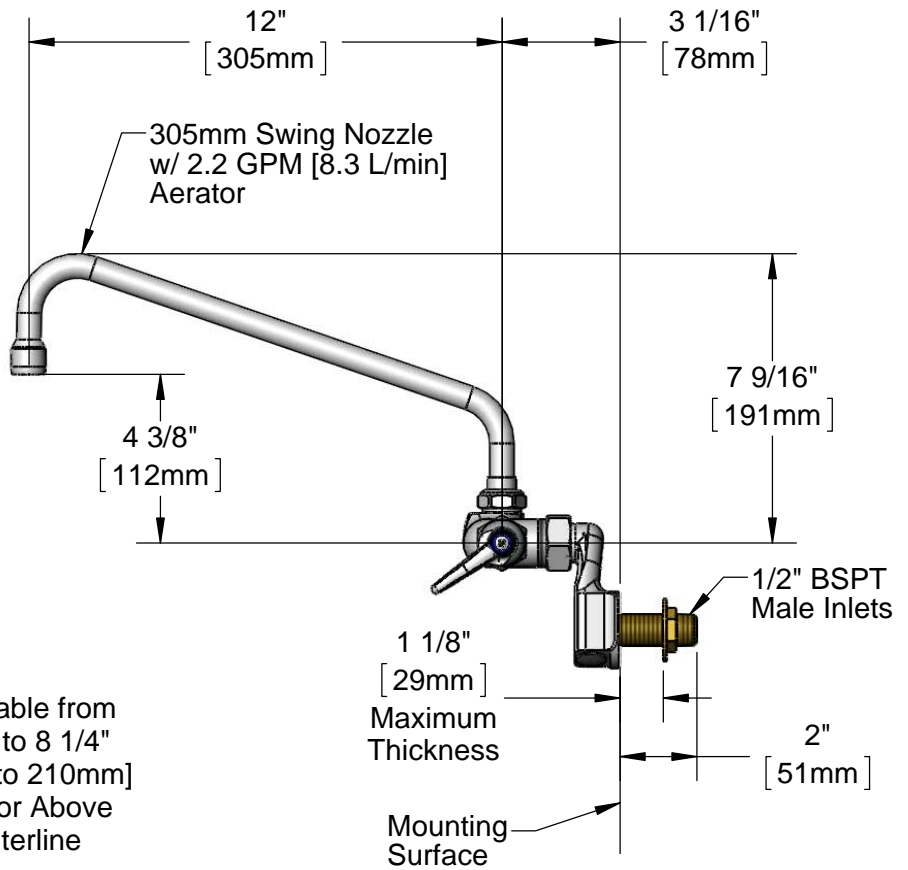
Customer/Wholesaler \_\_\_\_\_

Contractor \_\_\_\_\_

Architect/Engineer \_\_\_\_\_



Adjustable from  
2 1/4" to 8 1/4"  
[57mm to 210mm]  
Below or Above  
Centerline



Rough-In Requirement:  
(2) Ø 1" [25mm] Mounting Holes

Product Specifications:  
Wall Mount Mixing Faucet w/ Adjustable Inlet Arms,  
Cerama Cartridges, 305mm Swing Nozzle, 2.2 GPM Aerator &  
1/2" BSPT Male Inlets

Drawn <b>DMH</b>	Checked <b>KJG</b>	Approved <b>JHB</b>
Scale: <b>1:5</b>		Date: <b>06/05/12</b>



# T&S BRASS AND BRONZE WORKS, INC.

2 Saddleback Cove / P.O. Box 1088  
Travelers Rest, SC 29690

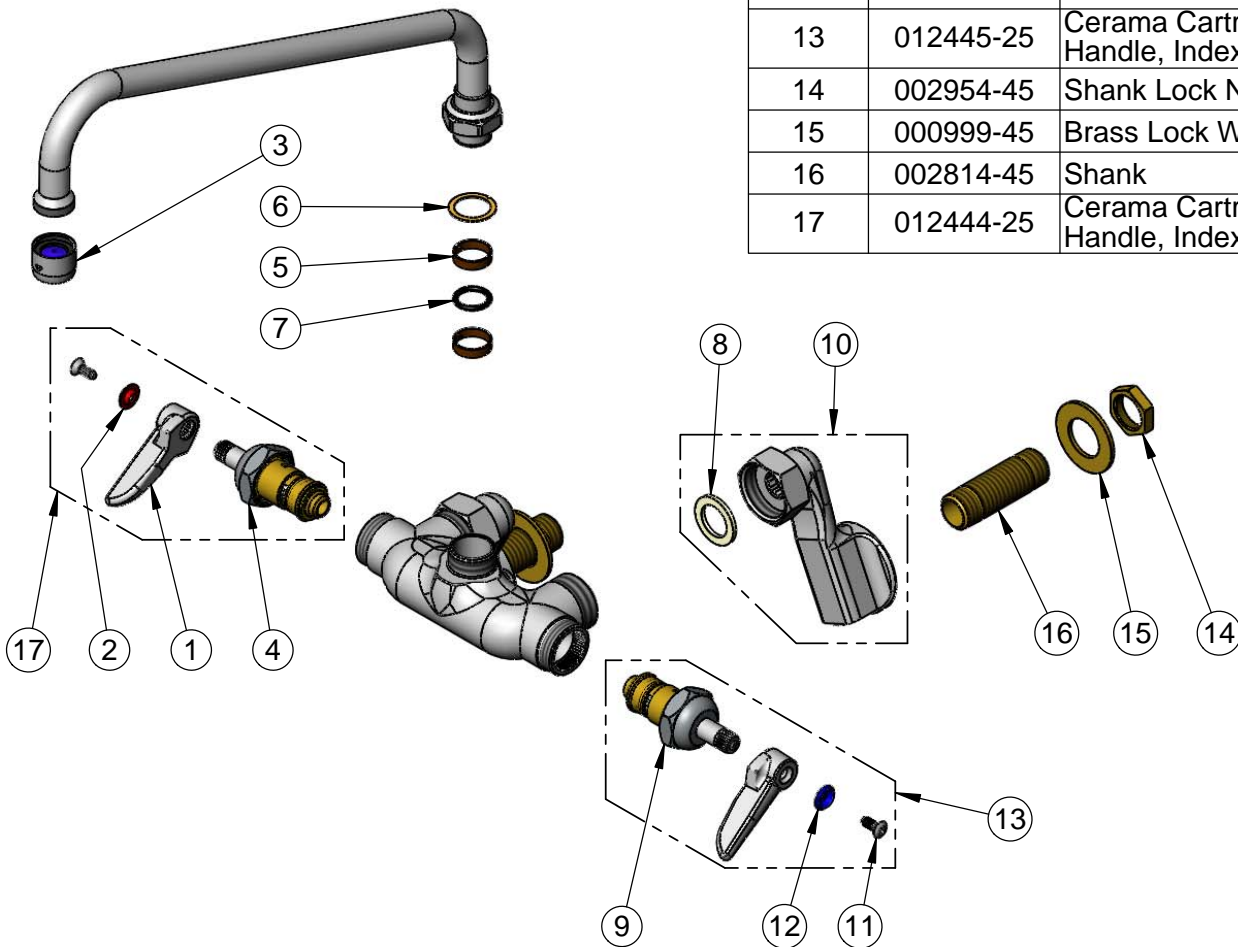
Model No.

**EB-0236**

Item No.

Travelers Rest, SC: 800-476-4103 • Simi Valley, CA: 800-423-0150 • Fax: 864-834-3518 • www.tsbrass.com

ITEM NO.	SALES NO.	DESCRIPTION
1	001638-45	Lever Handle
2	001661-45	Red Index-HW
3	EB-0199-01	2.2 GPM Aerator, M22 X 1 Female
4	011278-25	Cerama Cartridge, RTC
5	011429-45	Swivel Sleeves (2)
6	009538-45	Swivel Washer
7	001074-45	O-Ring
8	001019-45	Coupling Nut Washer
9	011279-25	Cerama Cartridge, LTC
10	00GG	1/2" NPT Female Adjustable Arm Inlet Asm
11	000922-45	Lever Handle Screw
12	001660-45	Blue Index-CW
13	012445-25	Cerama Cartridge, LTC w/ Handle, Index & Screw
14	002954-45	Shank Lock Nut
15	000999-45	Brass Lock Washer
16	002814-45	Shank
17	012444-25	Cerama Cartridge, RTC w/ Handle, Index & Screw



**Product Specifications:**

Wall Mount Mixing Faucet w/ Adjustable Inlet Arms,  
Cerama Cartridges, 305mm Swing Nozzle, 2.2 GPM Aerator &  
1/2" BSPT Male Inlets

Drawn

**DMH**

Checked

**KJG**

Approved

**JHB**

Scale:

**NTS**

Date:

**06/05/12**