



T&S BRASS AND BRONZE WORKS, INC.
 2 Saddleback Cove / P.O. Box 1088
 Travelers Rest, SC 29690

Model No.
069X

Item No.

Travelers Rest, SC: 800-476-4103 • Simi Valley, CA: 800-423-0150 • Fax: 864-834-3518 • www.tsbrass.com

This Space for Architect/Engineer Approval

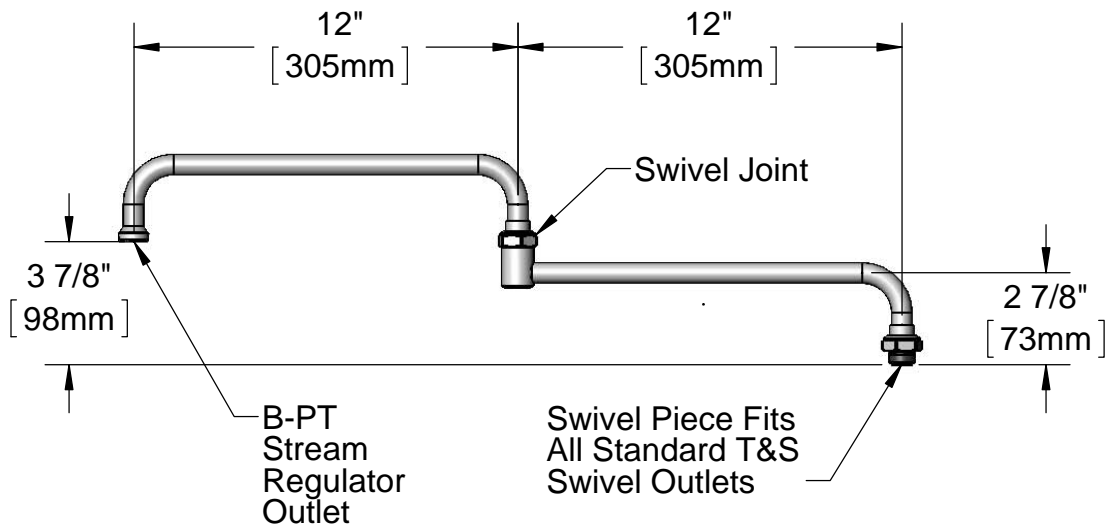
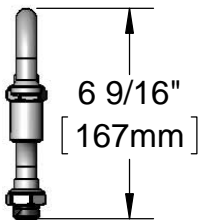
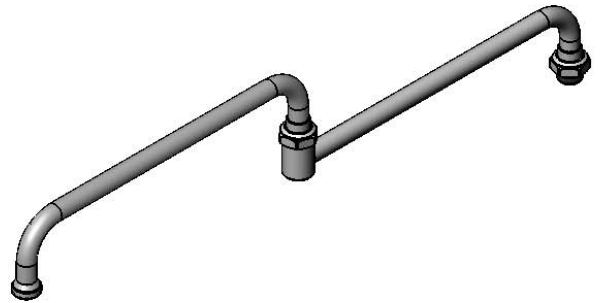
Job Name _____ Date _____

Model Specified _____ Quantity _____

Customer/Wholesaler _____

Contractor _____

Architect/Engineer _____



Product Specifications:
 24" Double Joint Swing Nozzle
 (12" Back Section, 12" Front Section)

Drawn DHL	Checked DMH	Approved JHB
---------------------	-----------------------	------------------------

Scale: 1:6	Date: 08/27/12
----------------------	--------------------------



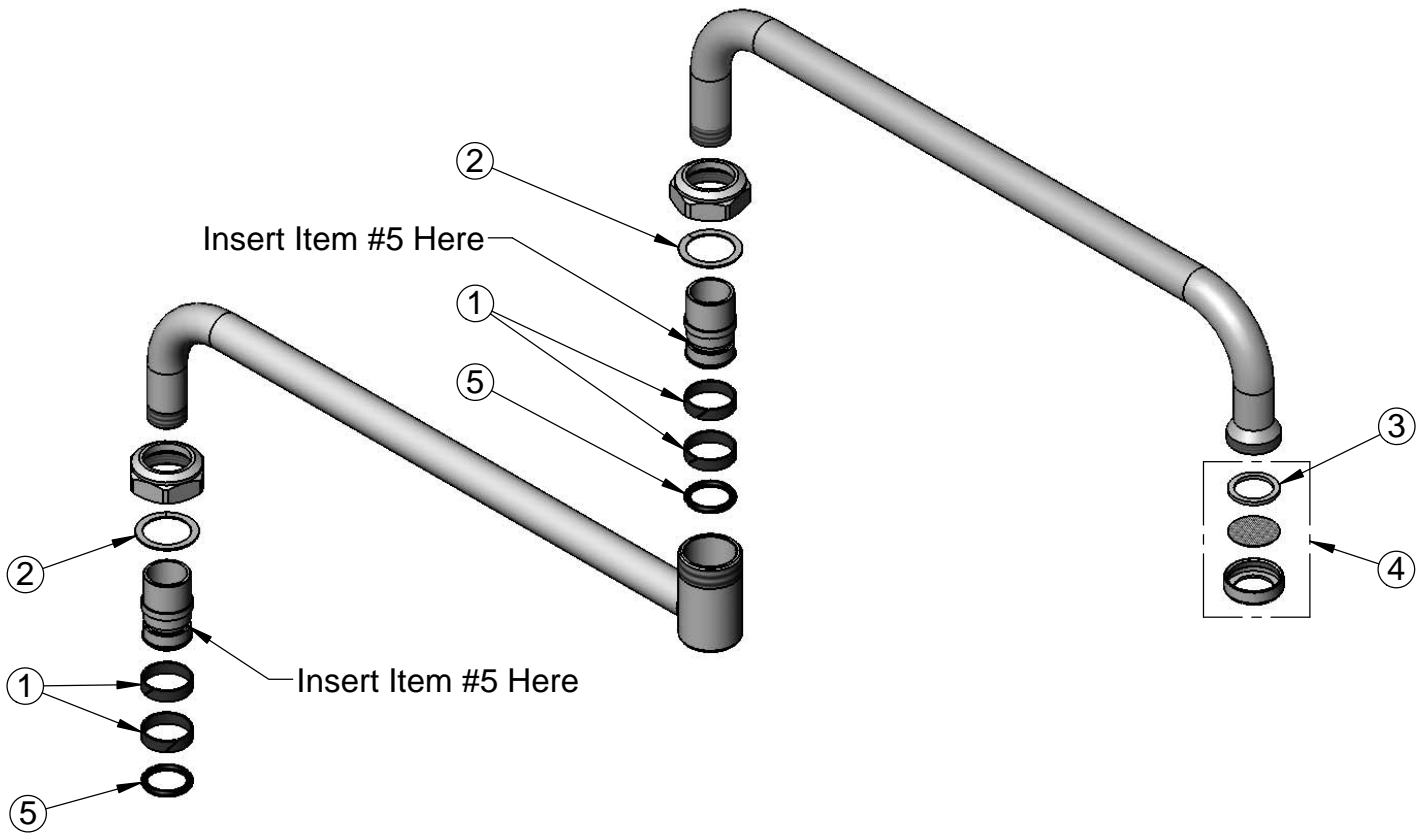
T&S BRASS AND BRONZE WORKS, INC.
 2 Saddleback Cove / P.O. Box 1088
 Travelers Rest, SC 29690

Model No.
069X

Item No.

Travelers Rest, SC: 800-476-4103 • Simi Valley, CA: 800-423-0150 • Fax: 864-834-3518 • www.tsbrass.com

ITEM NO.	SALES NO.	DESCRIPTION
1	011429-45	Swivel Sleeves (2)
2	009538-45	Swivel Washer
3	001048-45	Nozzle Tip Washer
4	B-PT	Stream Regulator
5	001074-45	O-Ring



Product Specifications:
 24" Double Joint Swing Nozzle
 (12" Back Section, 12" Front Section)

Drawn DHL	Checked DMH	Approved JHB
Scale: NTS		Date: 08/27/12