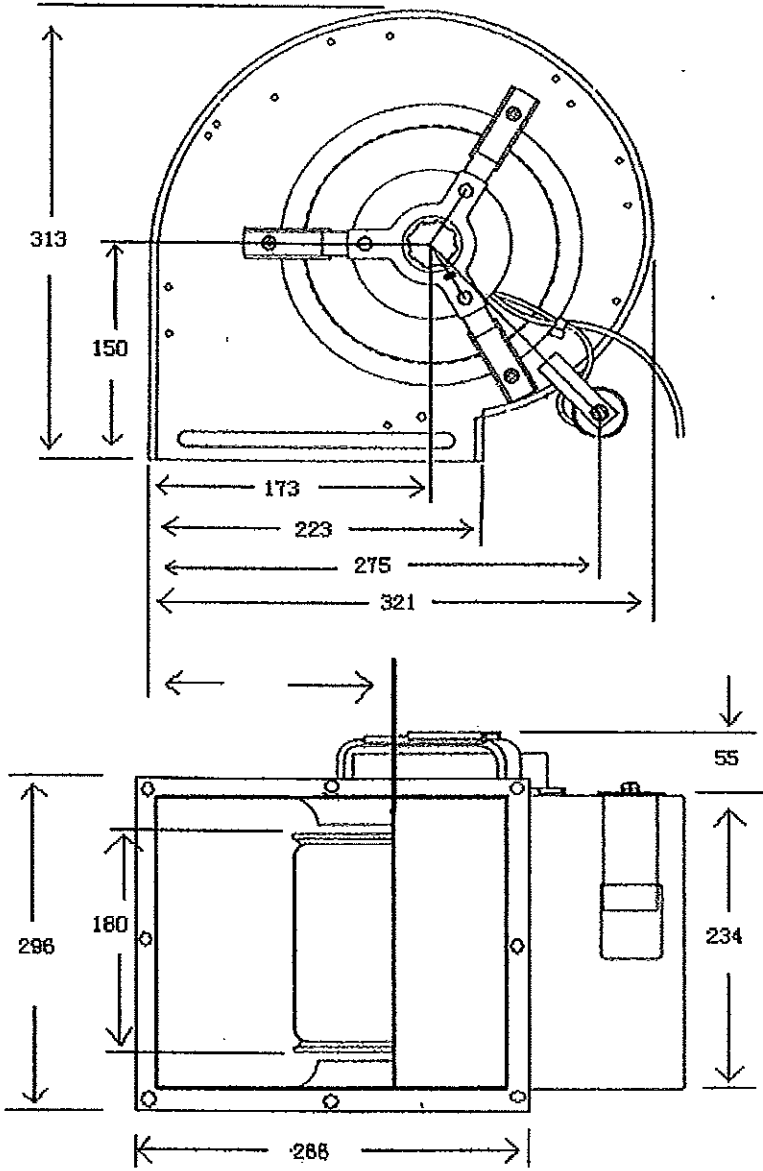
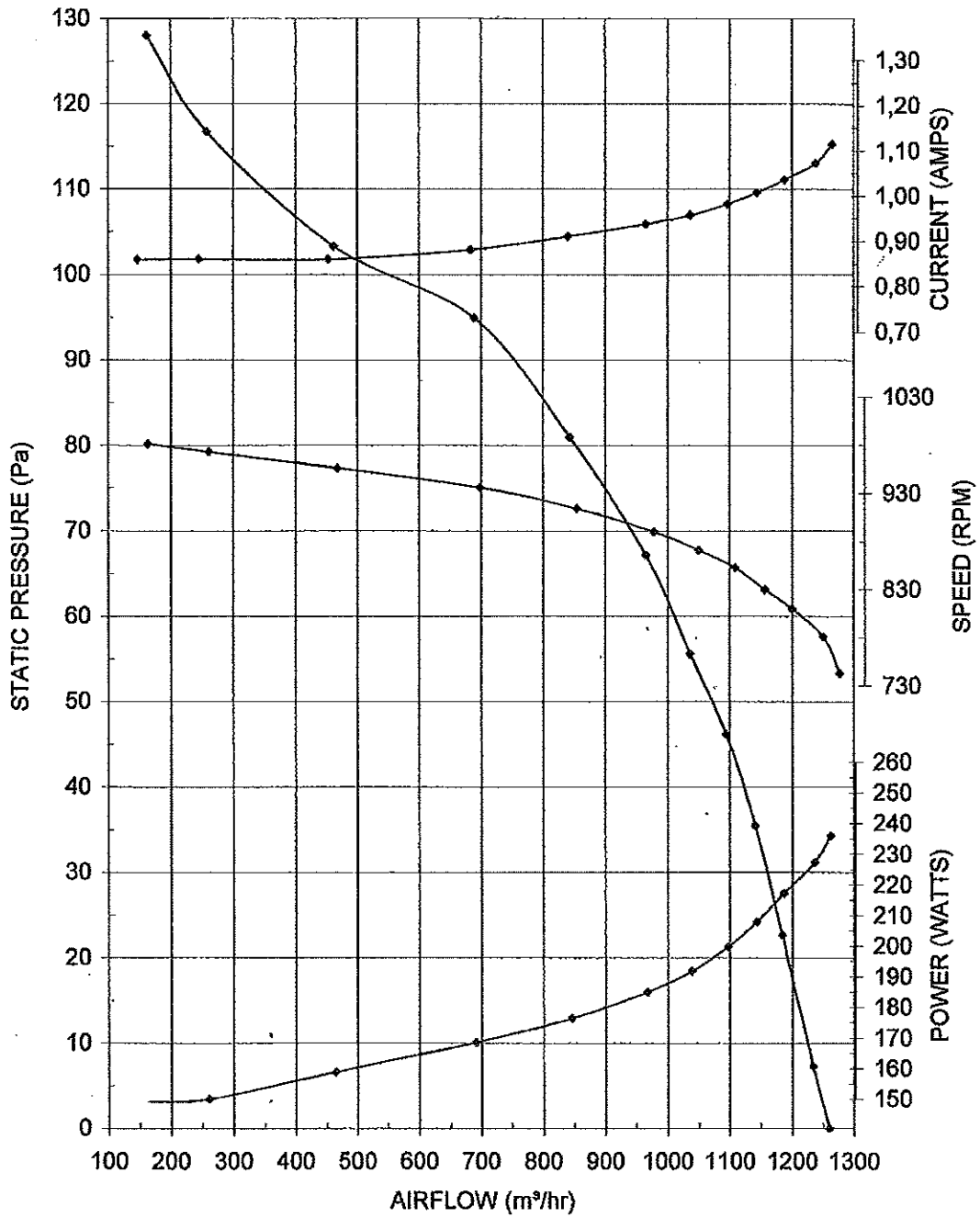


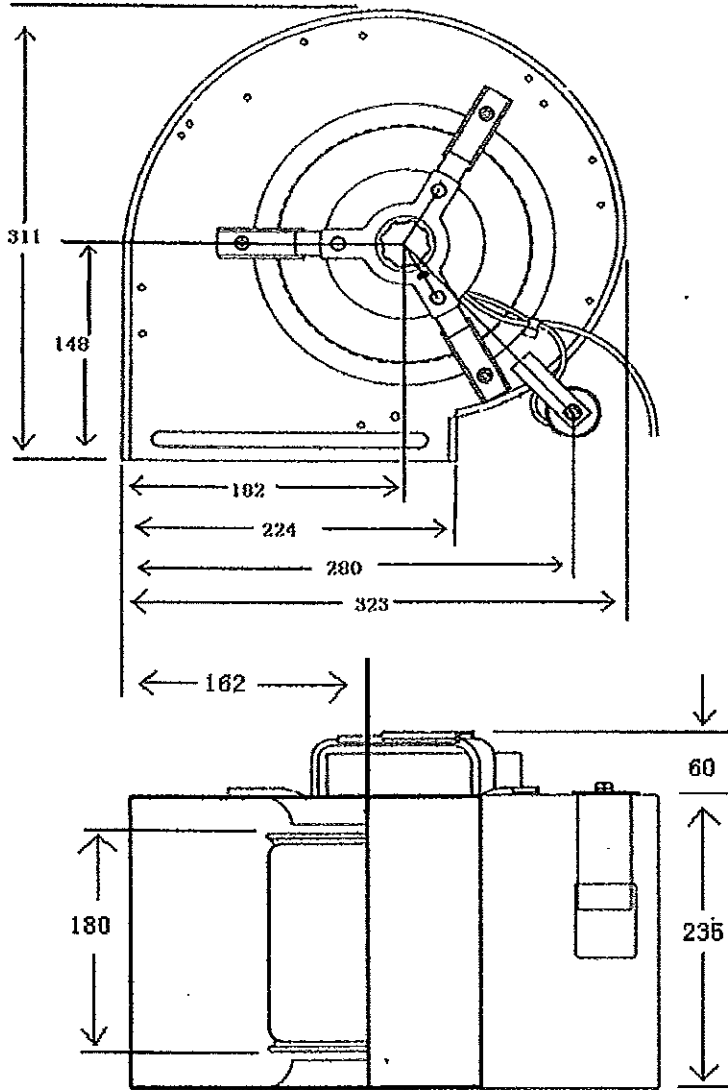
S-vent 7-7-900



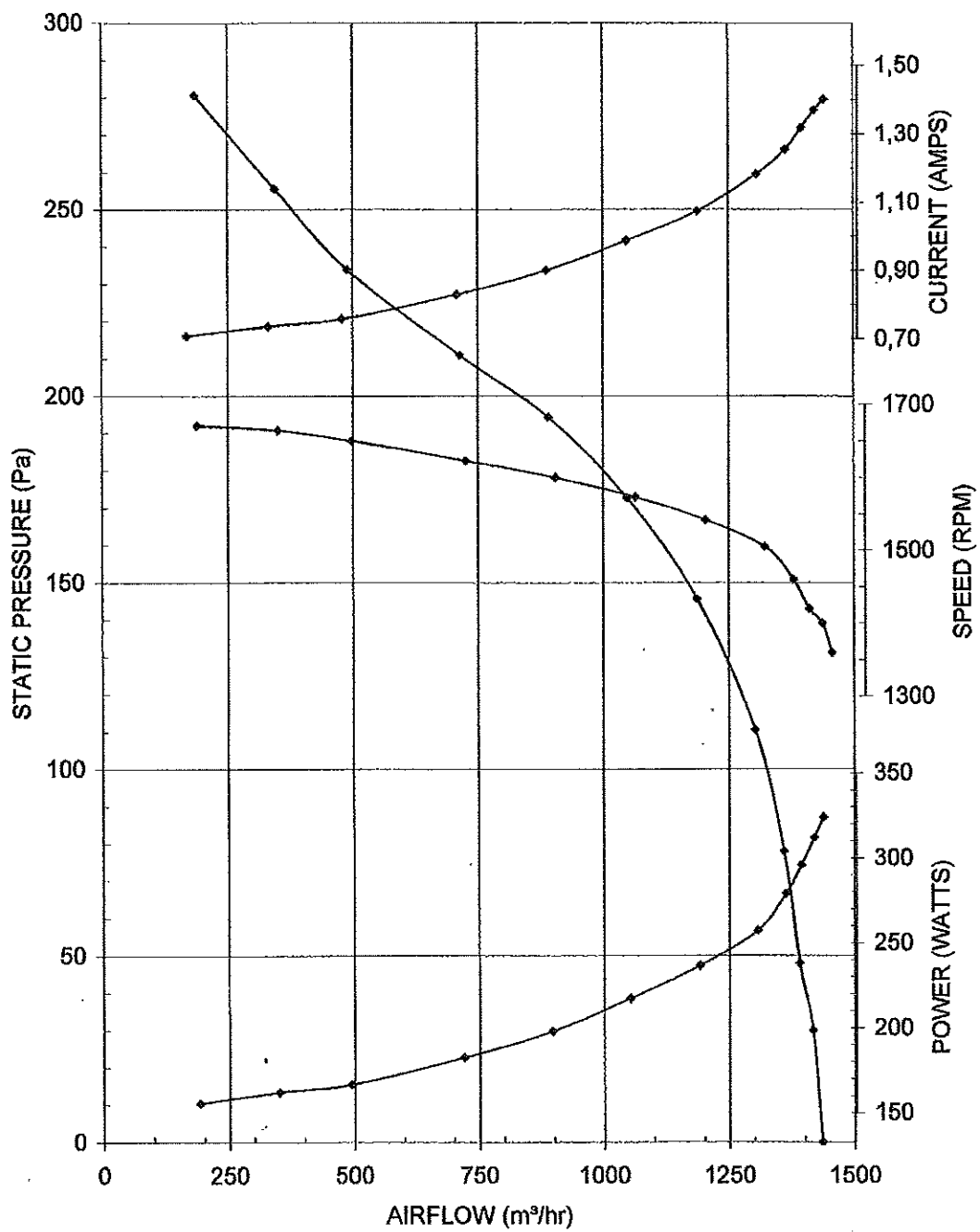
S-vent 7-7-900



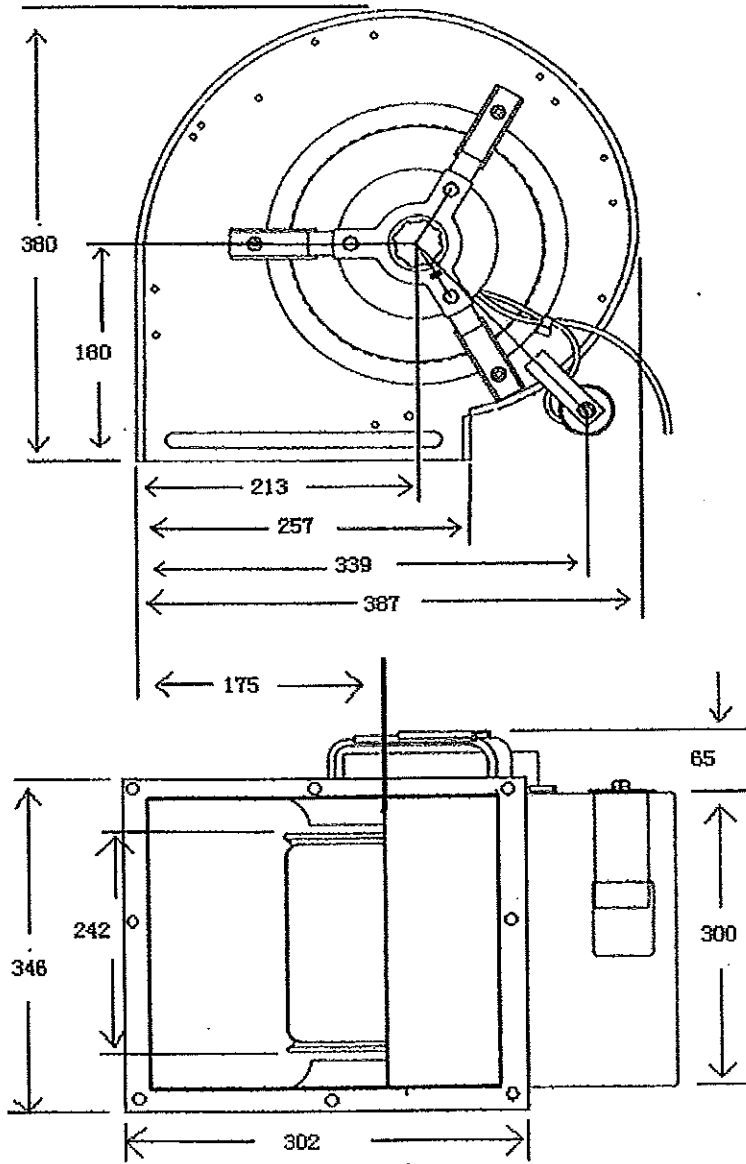
S-vent 7-7-1400



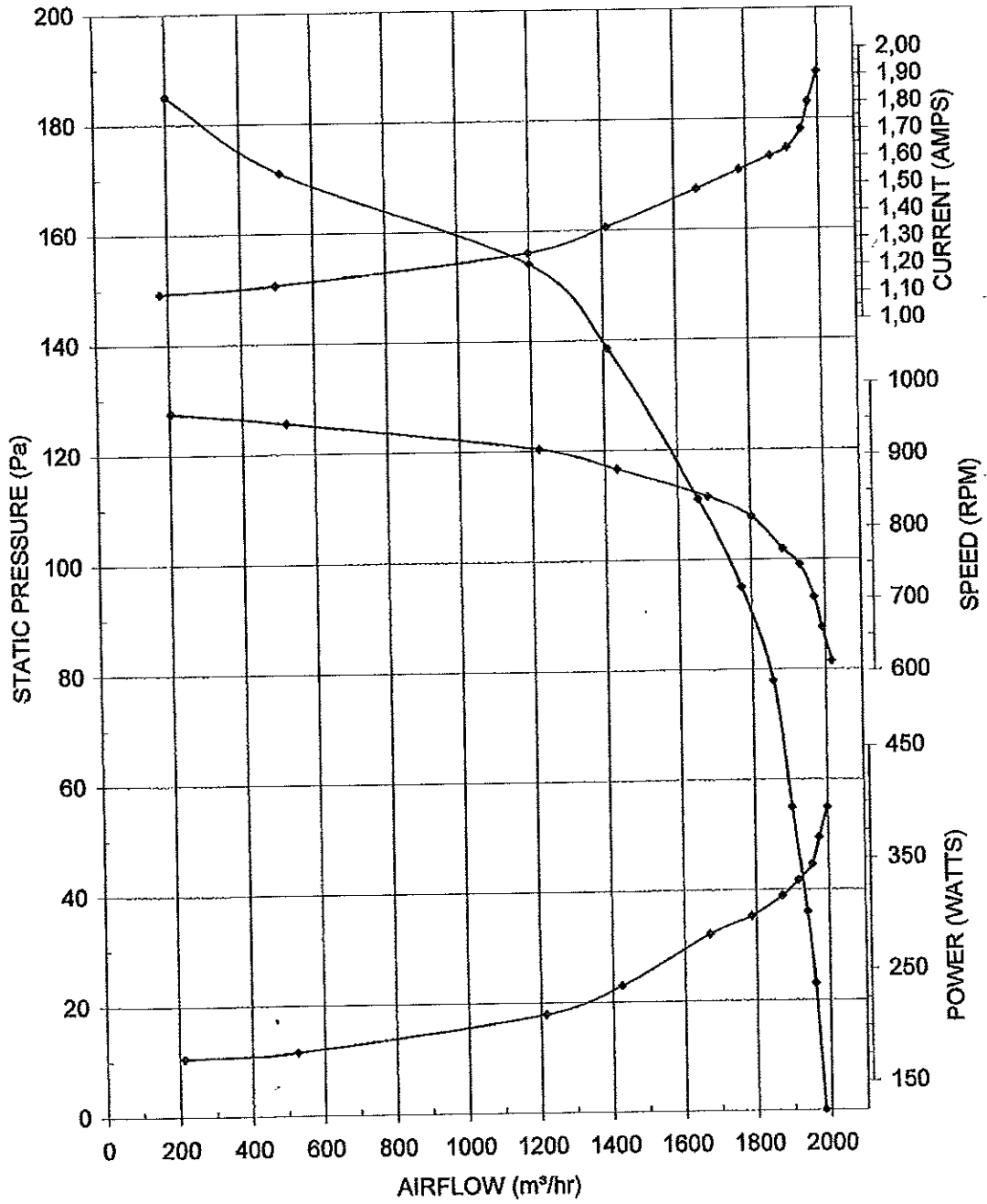
S-vent 7-7-1400



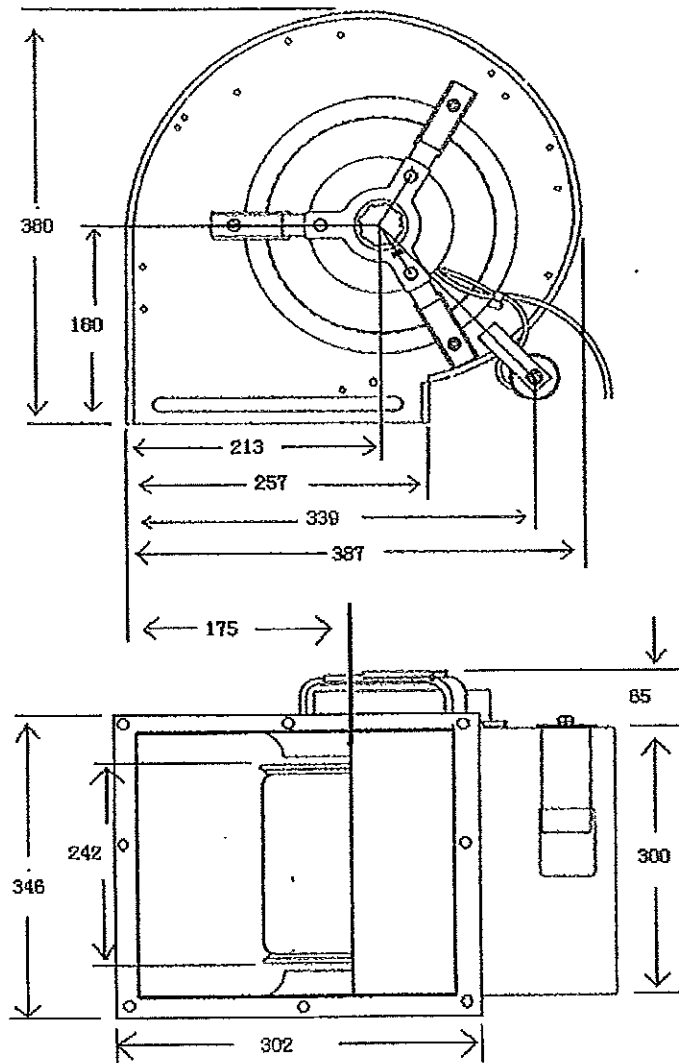
S-vent 9-9-900 1/6



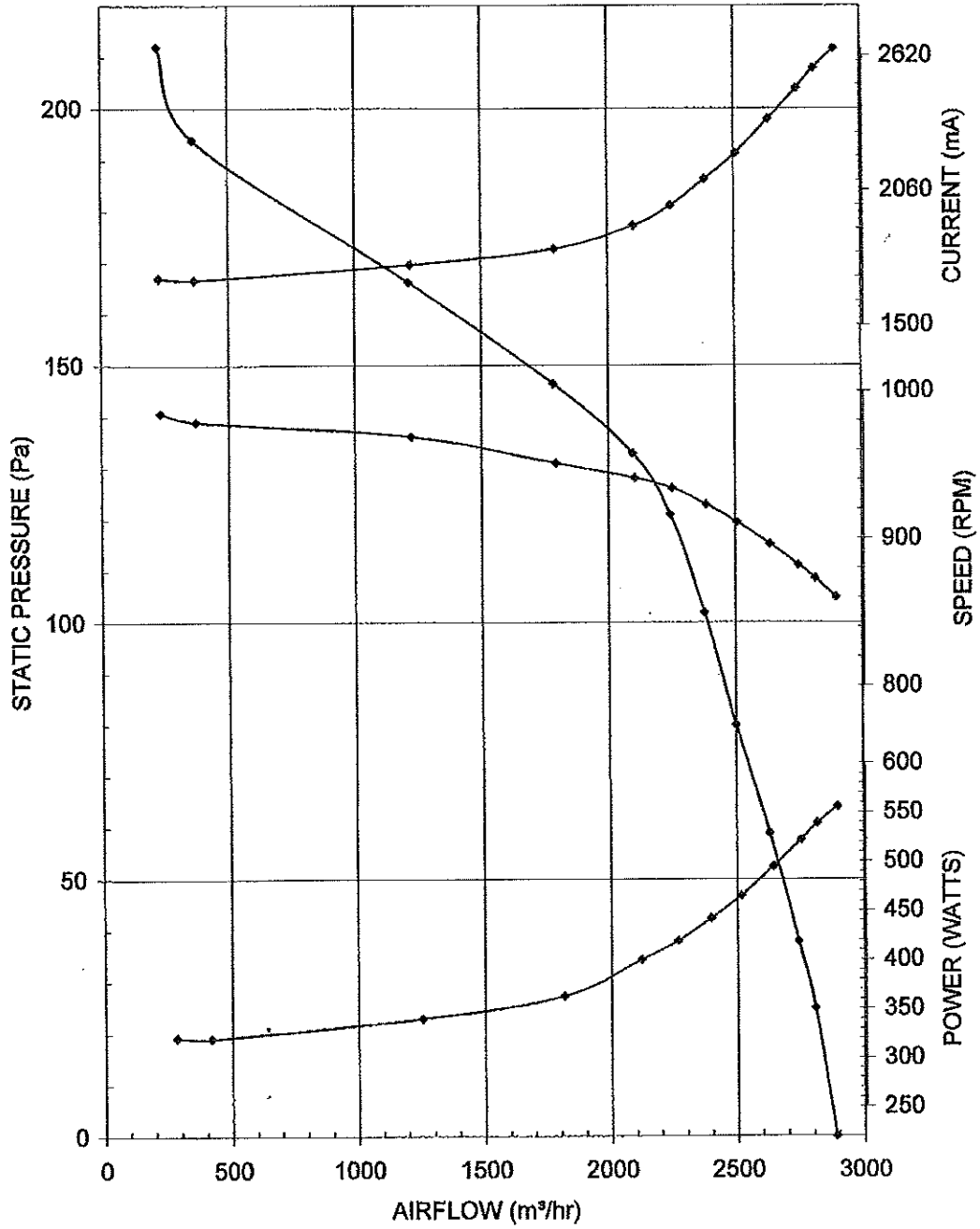
S-vent 9-9-900 1/6



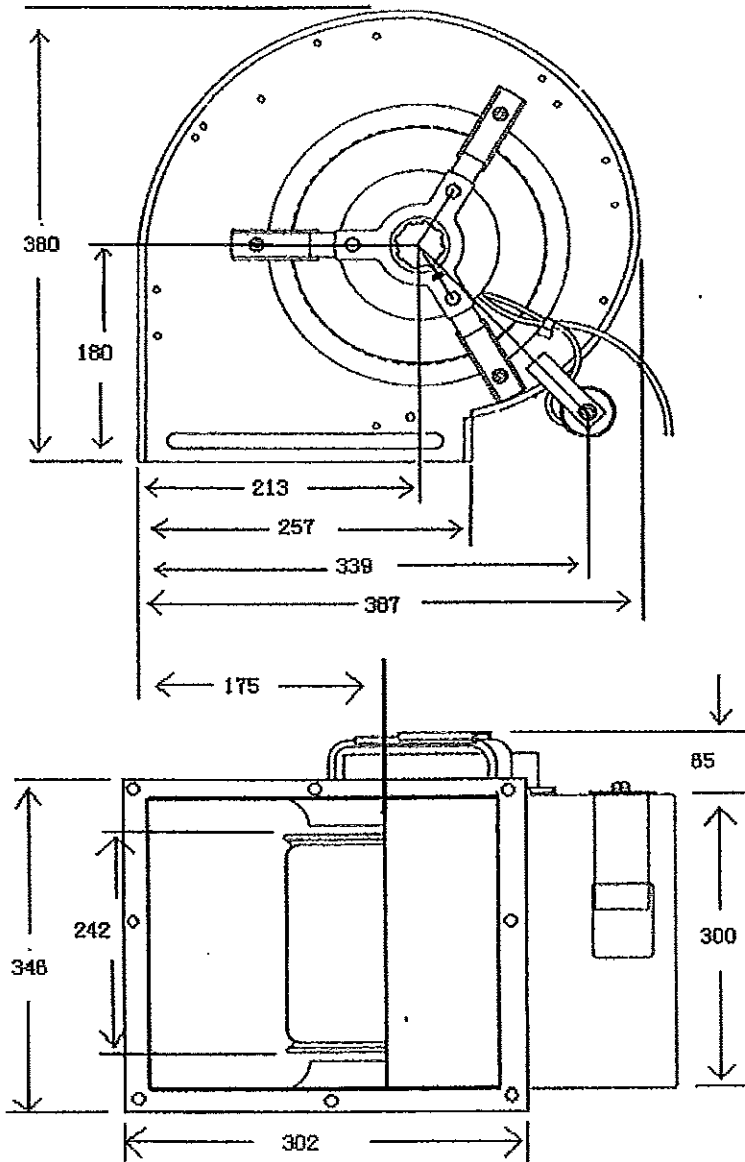
S-vent 9-9-900 1/3



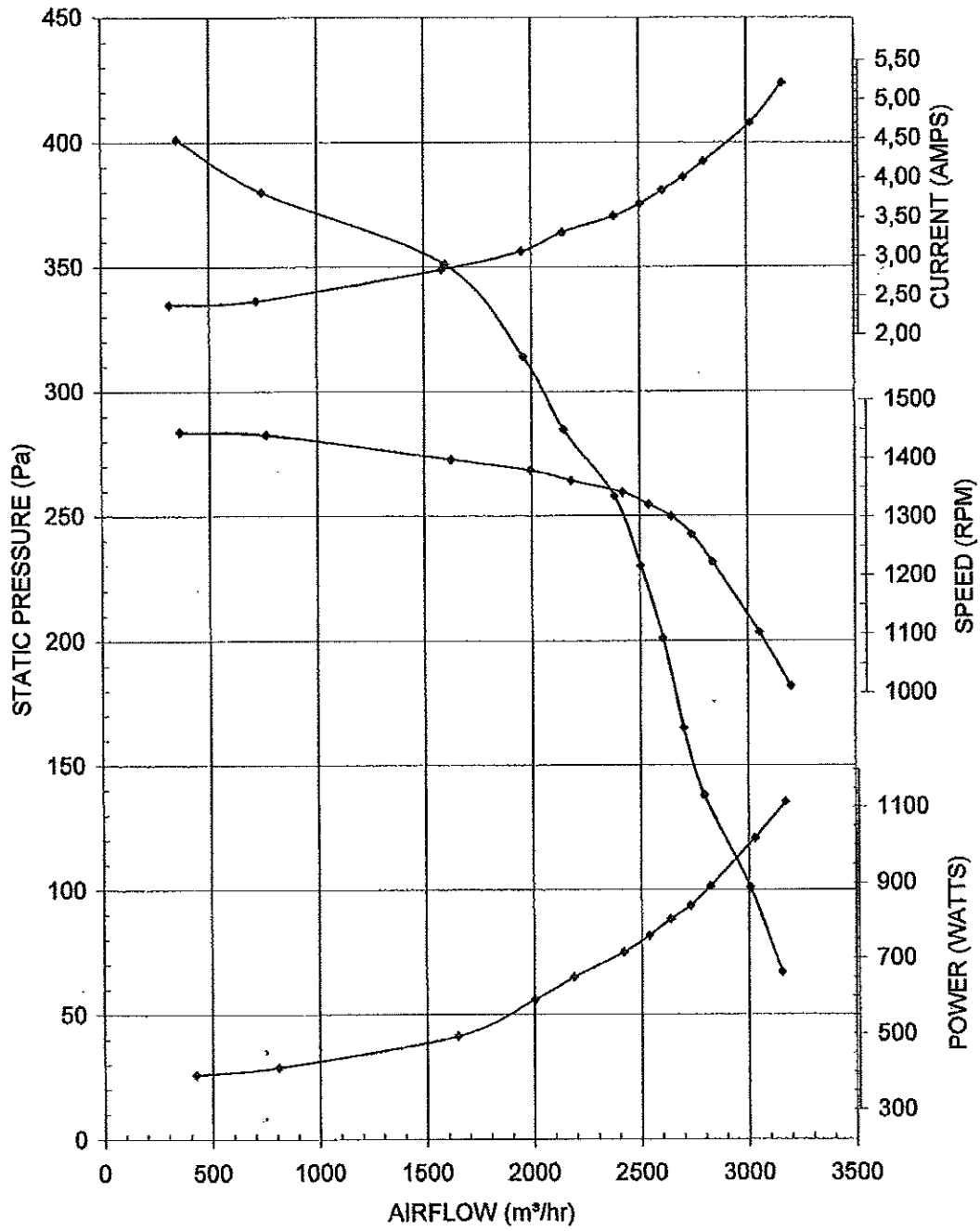
S-vent 9-9-900 1/3



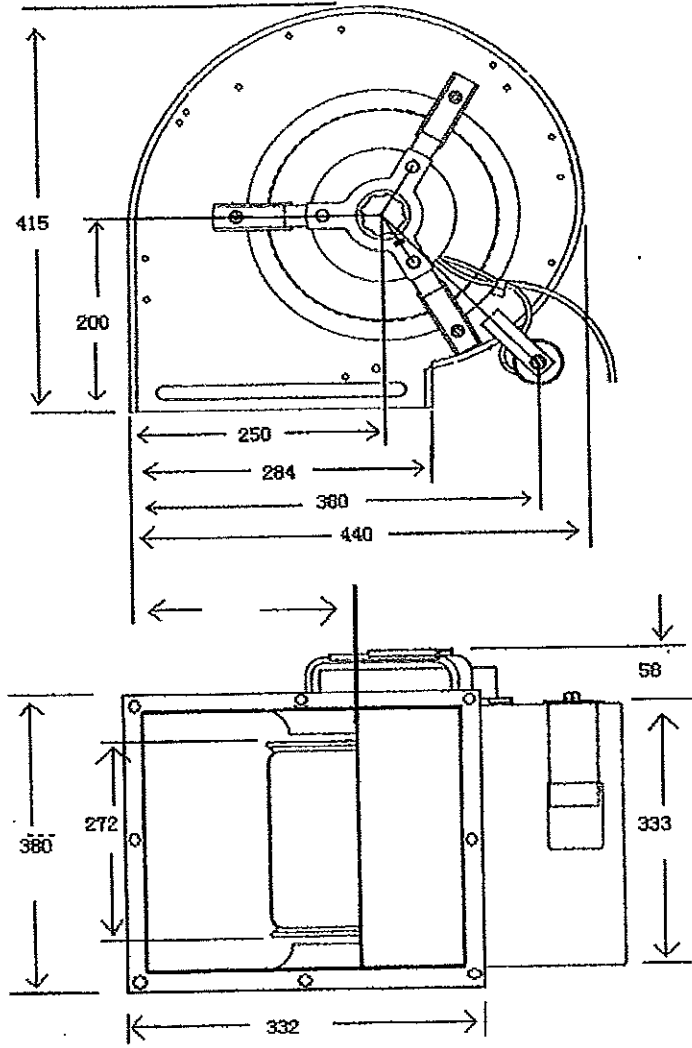
S-vent 9-9-1400



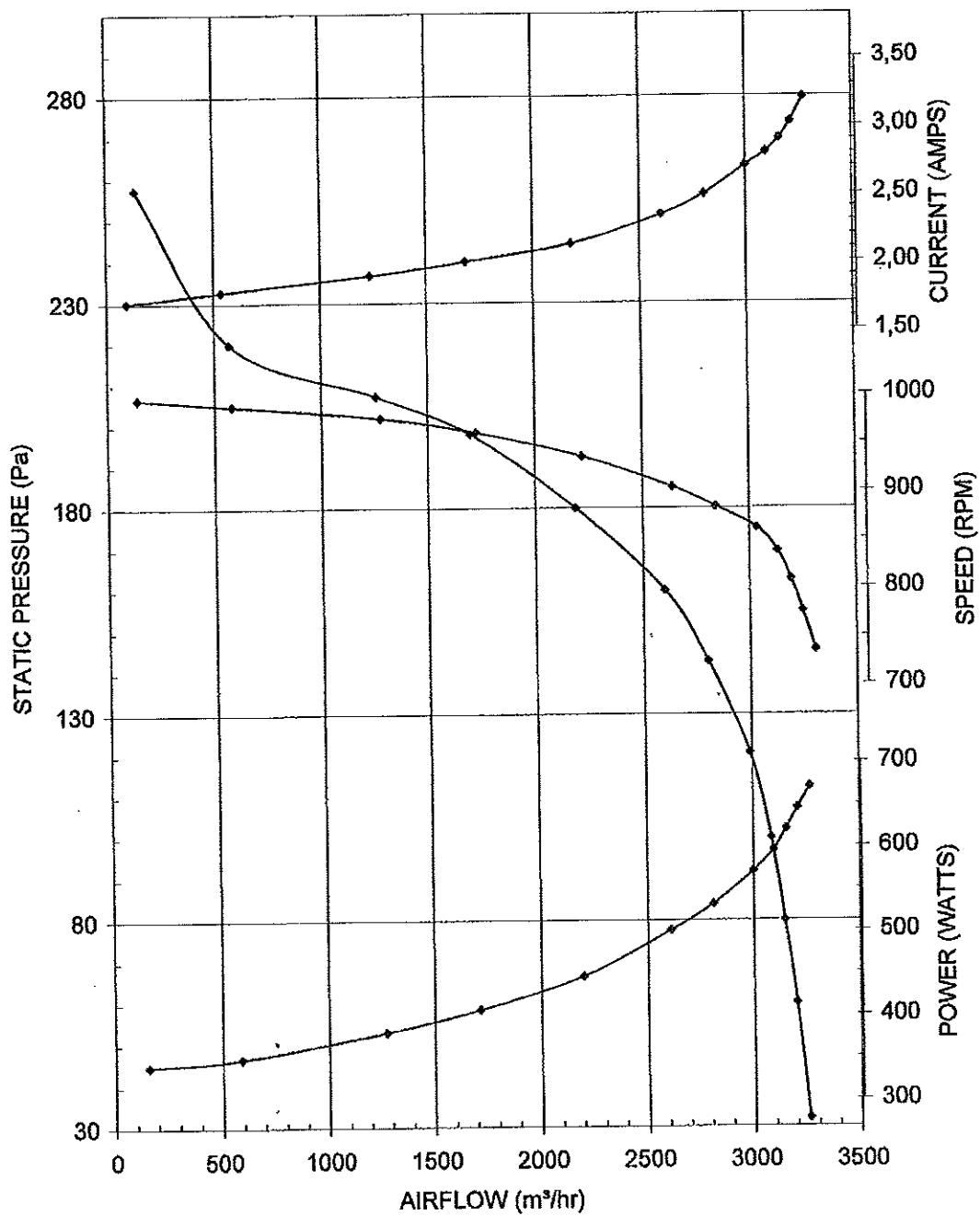
S-vent 9-9-1400



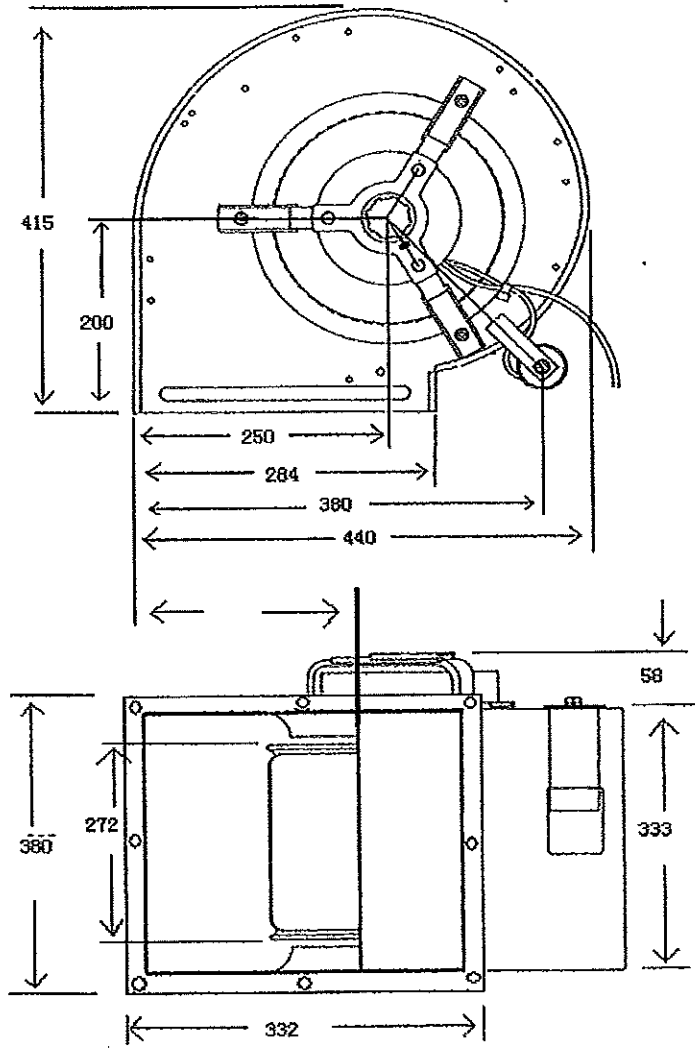
S-vent 10-10-900



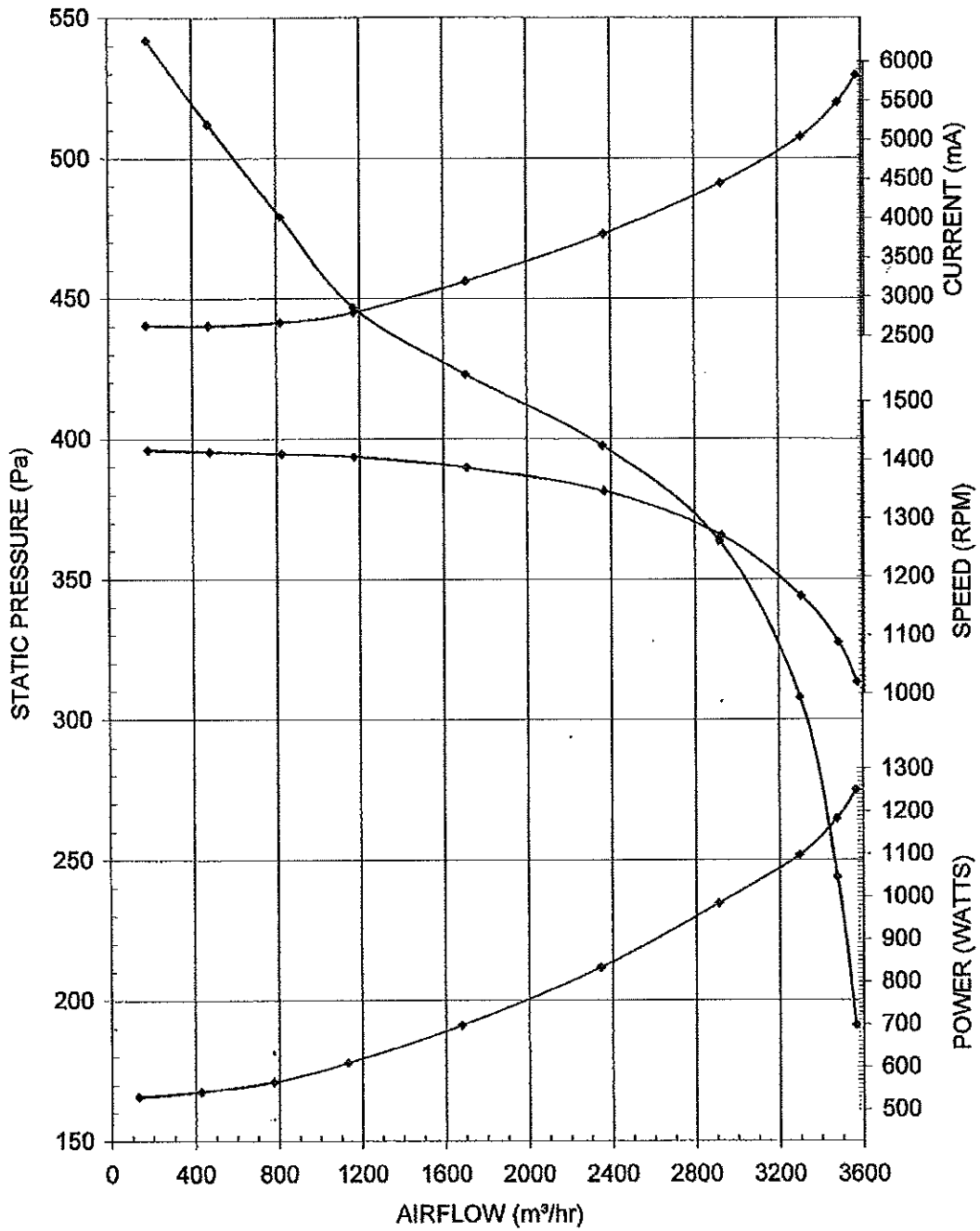
S-vent 10-10-900



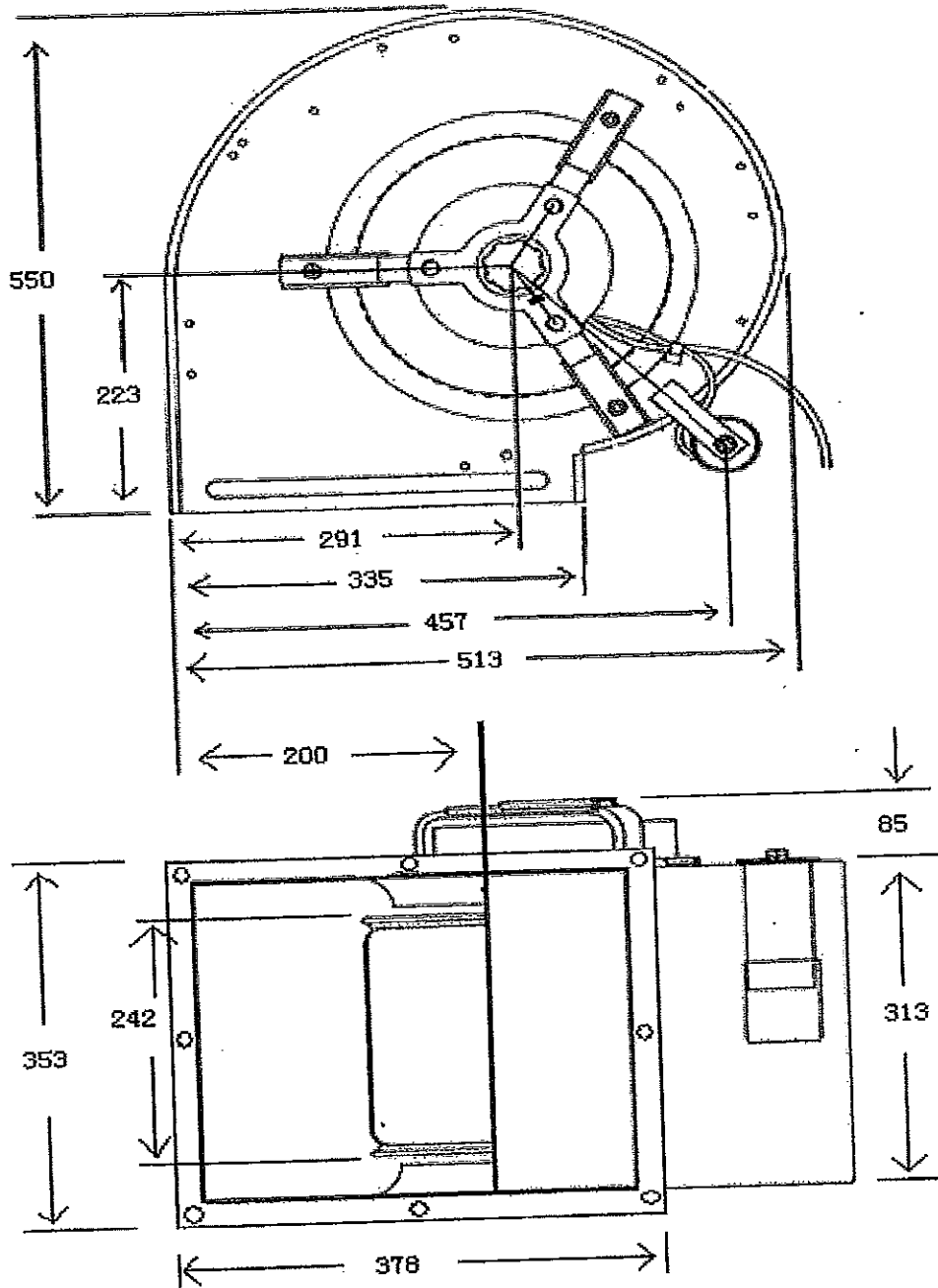
S-vent 10-10-1400



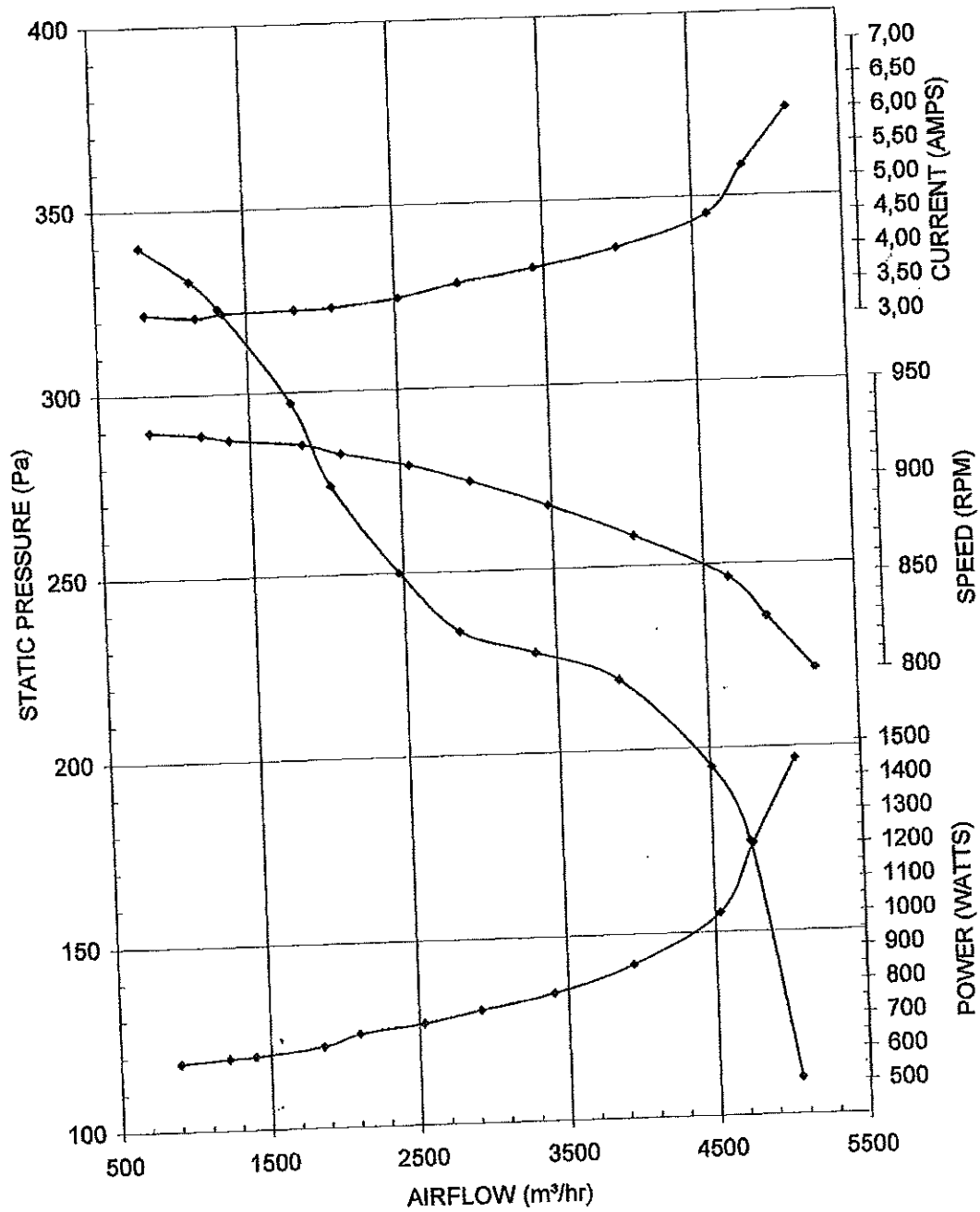
S-vent 10-10-1400



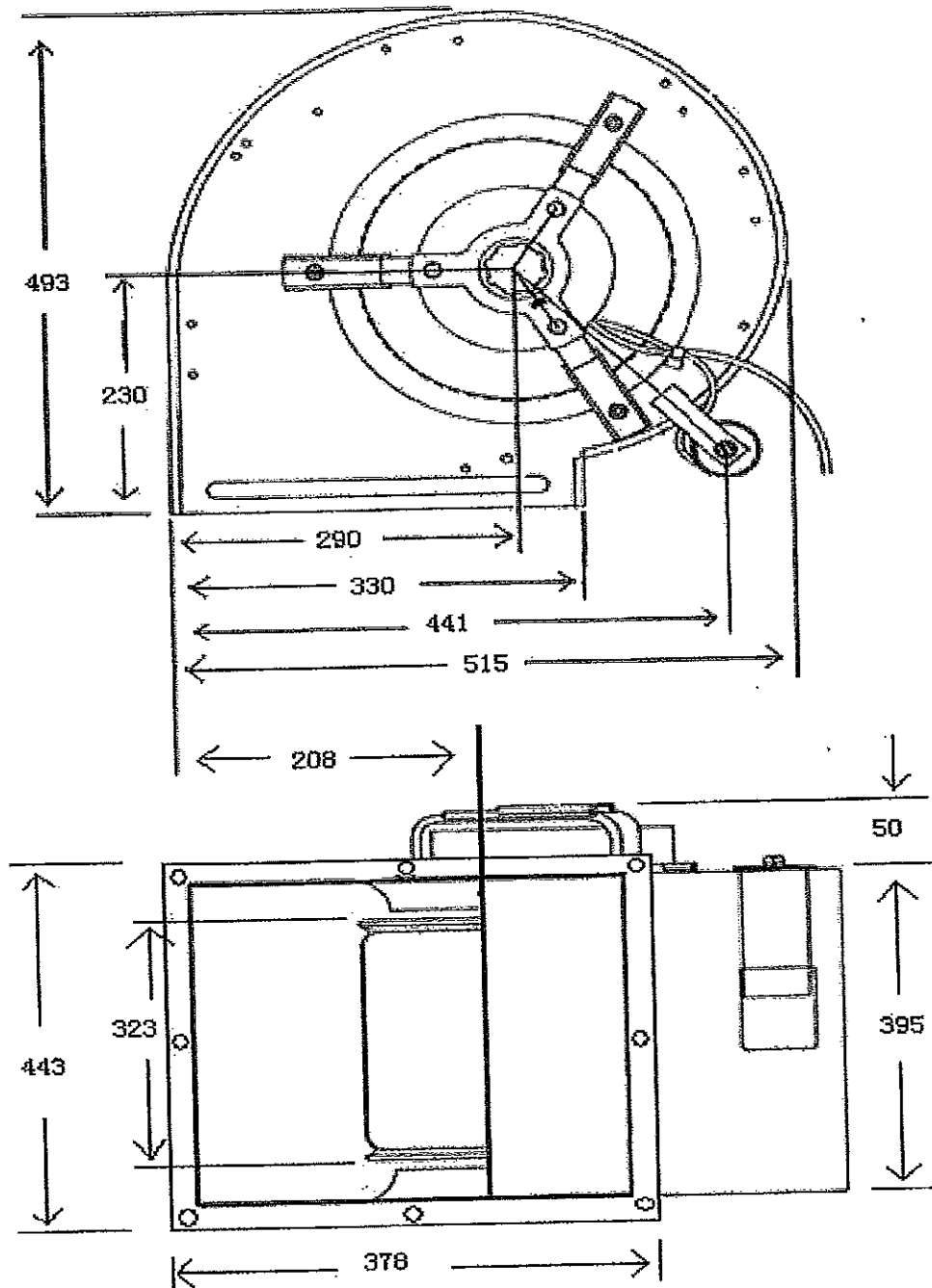
S-vent 12-9-900



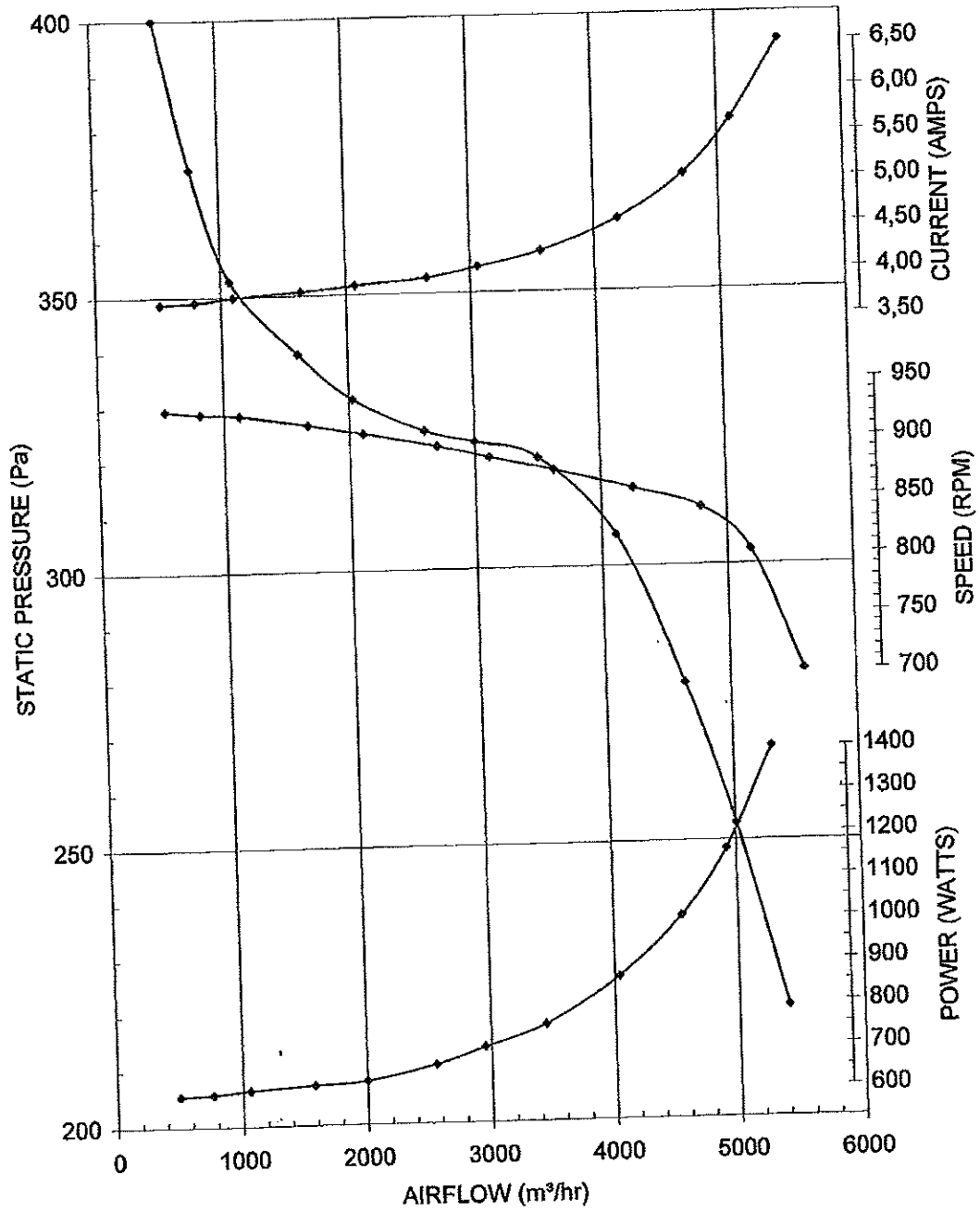
321-241-6P
S-vent 12-9-900 1/1



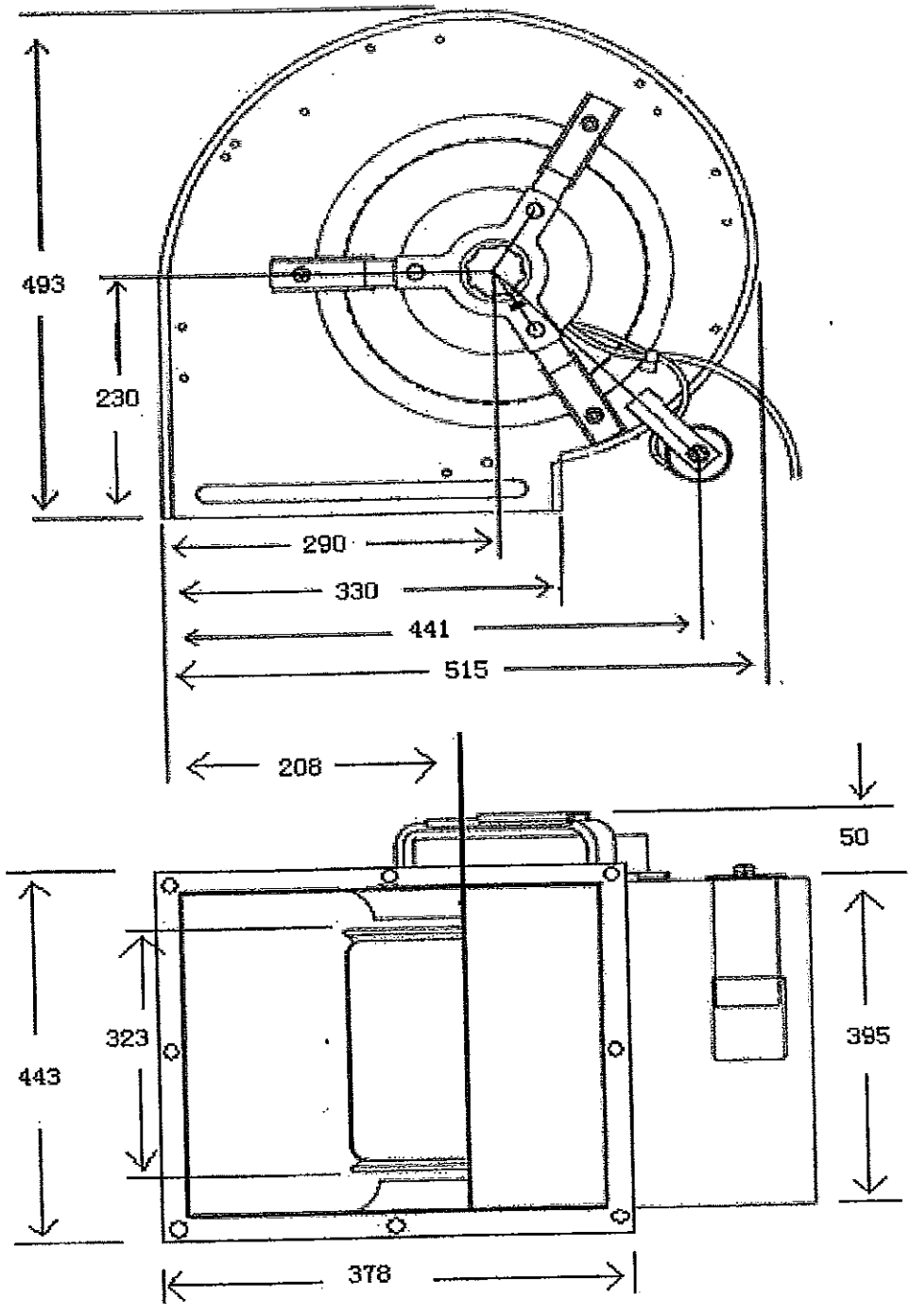
S-vent 12-12-900



321-321-6P
S-Vent 12-12-900



S vent 12-12-1100



321-321-1100
S-vent 12-12-1100

